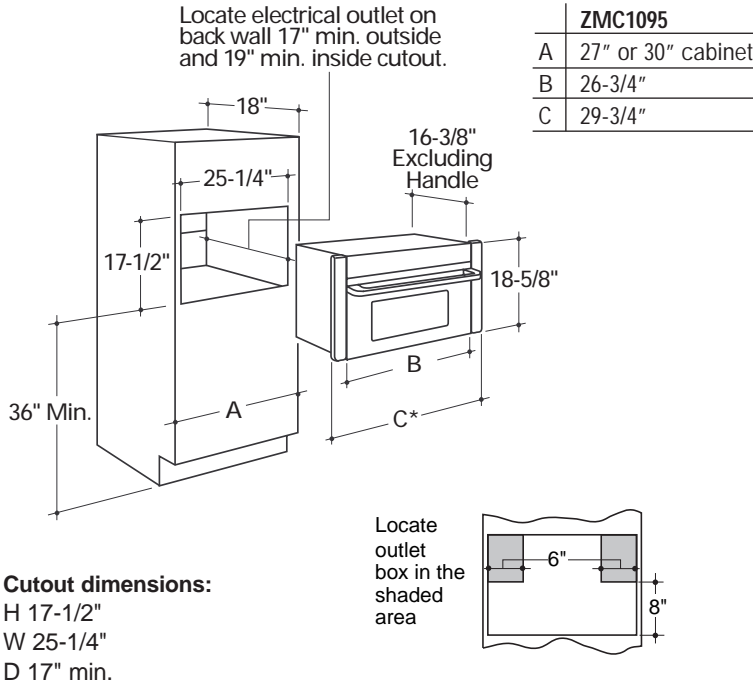




Monogram™

ZMC1095SB—GE Monogram Built-In Microwave/Convection Oven

Dimensions and Specifications (in inches)

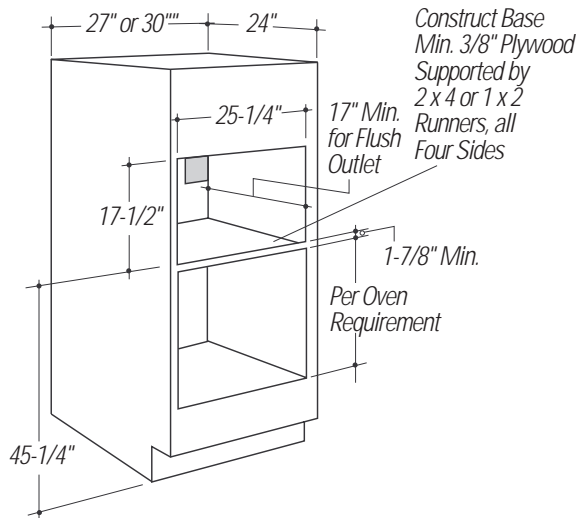


Built-in microwave/convection ovens require a 120 volt, 60Hz power supply. A separate circuit, protected by a time delay fuse or circuit breaker, is required.

Each oven is supplied with a 45" long power cord, for which a properly grounded 3-prong receptacle is required.

Microwave/convection ovens are 800 watts and draw 1450 watts, with a 13 amp load.

Note: Reference GE Monogram Built-In Microwave Oven Installation Instructions, packed with product, for complete details.



Installation Option shown above includes:
 ZMC1095 microwave oven installed above a GE Monogram 27" or 30" single wall oven.

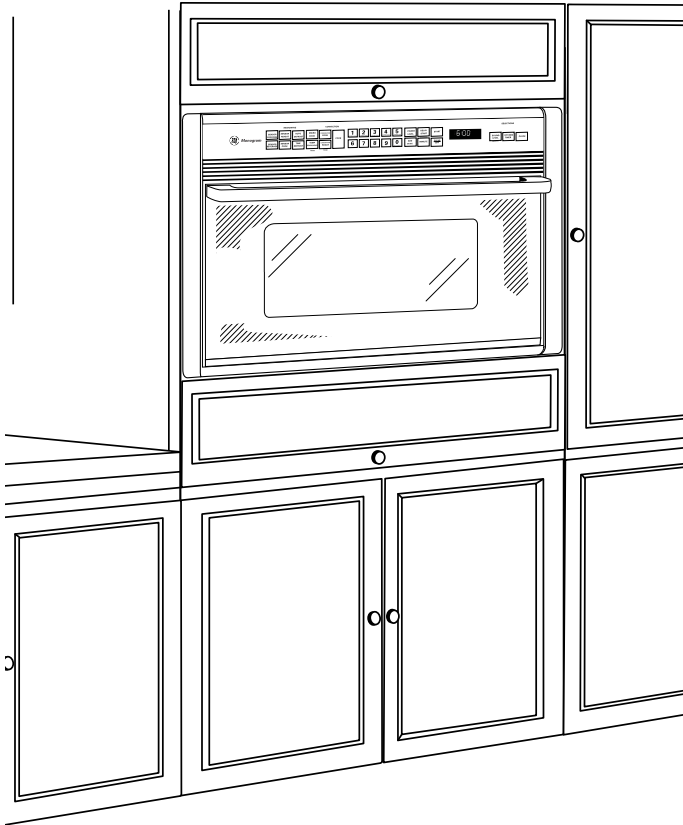
For answers to your Monogram®, GE Profile Performance Series™, GE Profile™ or GE appliance questions, call GE Answer Center® service, 800.626.2000.





Monogram™

ZMC1095SB—GE Monogram Built-In Microwave/Convection Oven



Features and Benefits

- 1.0 cu. ft. Oven Cavity
- 800 Watts*
- Electronic Touch Controls
- Express Cook with Instant-On Controls
- Electronic Digital Display with Clock
- Sensor Cooking Controls for Popcorn, Cook, Reheat and Beverage Pads
- Convection Cook
- Combination Cook
- Combination Roast (Probe)
- Wire Rack
- Micro Cook I & II
- Auto Defrost and Time Defrost
- Add 30 Seconds
- Kitchen Timer
- Temp Cook and Hold (Probe)
- Delay Start/Reminder
- 10 Power Levels
- Variable Beeper Volume
- Model ZMC1095WB—White on white
- Model ZMC1095BB—Black on black
- Model ZMC1095SB—Stainless steel

*IEC-705 Test Procedure